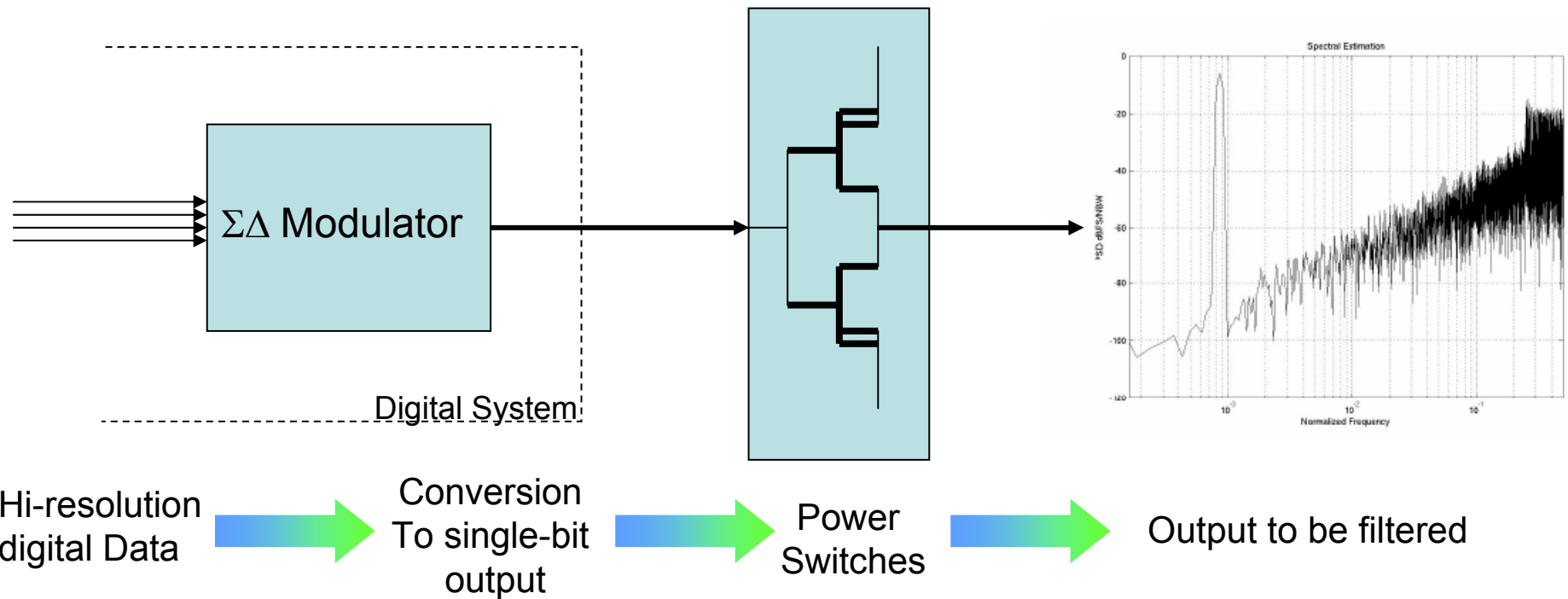


# An Efficient Parallel Structure for $\Sigma\Delta$ Modulators for Use in High Speed Switching Power Amplifiers

Ronan Farrell

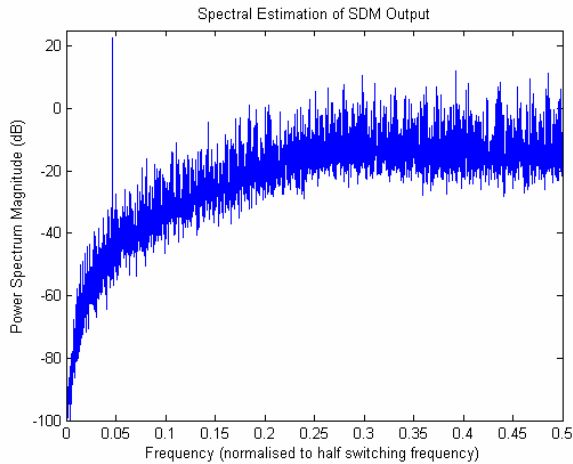
*Institute for Microelectronics and Wireless Systems  
National University of Ireland, Maynooth  
(<http://imws.nuim.ie>)*

*[rfarrell@eeng.nuim.ie](mailto:rfarrell@eeng.nuim.ie)*

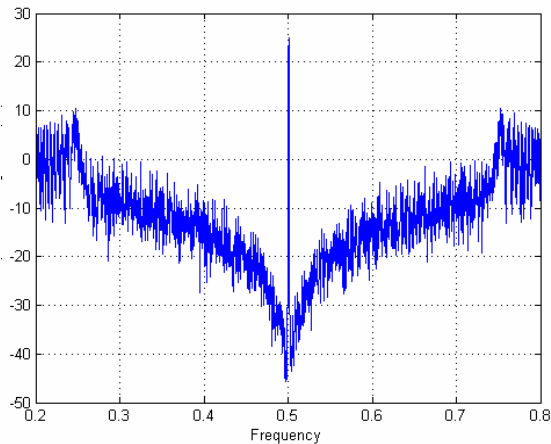


A sigma-delta modulator allows a high resolution narrowband signal to be represented by a wide bandwidth, low resolution signal

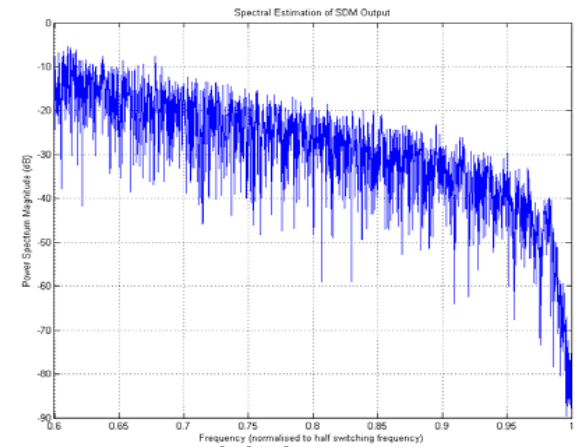
If that signal is passed to a suitable switch, then the original high resolution narrowband signal can be generated



low-pass  
( $f_{sw}$  = multiples of  $f_{in}$ )  
(easiest to build)



band-pass  
( $f_{sw} \approx 4 f_{in}$ )  
(harder to build)



high-pass  
( $f_{sw} \approx 2 f_{in}$ )  
(easier to build)

The rate at which the switch changes is an important design criteria

$\Sigma\Delta$  modulators come in 3 forms, depending on their signal transfer function

In the most common LP case, we switch at a **multiple of the input frequency**

In the BP/HP cases, the switching frequency is at a **fixed multiple (2 or 4)**.

## Benefits

- Excellent noise-rejection in the signal band
- Ideally perfect linearity
- Ideally 100% efficiency
- Mostly digital, requires very few analog components
- Easily adaptable to different power and signal frequencies

## Challenges

- Low Resolution output must have a high bit rate/switching frequency, preventing use in most modern communication schemes

Performance demands a high switching frequency. However the switching frequency determines the speed of the digital processors and the speed of the power switch.

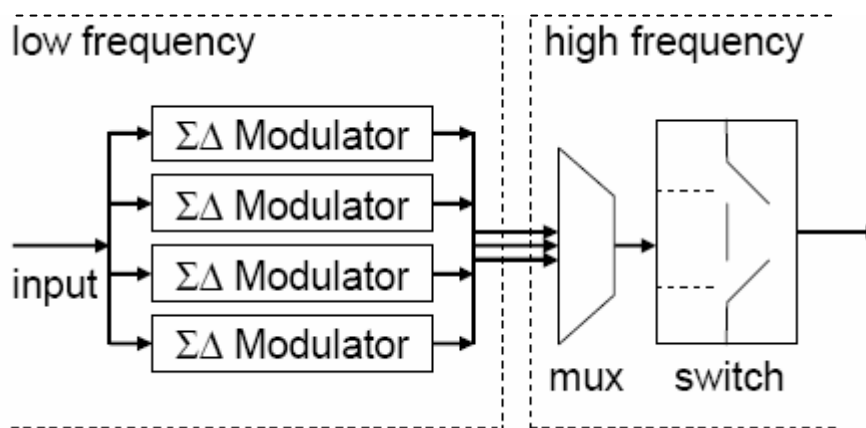
<u>Application</u>	<u>Low Pass</u>	<u>Band (High Pass)</u>
AM Radio	16 MHz	4 (2) MHz
FM Radio	1.6 GHz	400 (200) MHz
GSM-400	7.2 GHz	1800 (900) MHz
Analog TV	~8 GHz	2.8 (1.4) GHz
GSM-900	14 GHz	3.6 (1.8) GHz
UMTS/3G	30 GHz	7.6 (3.8) GHz

Analog switches can operate at these and higher frequencies  
 Digital logic becomes very difficult and expensive past 500 MHz

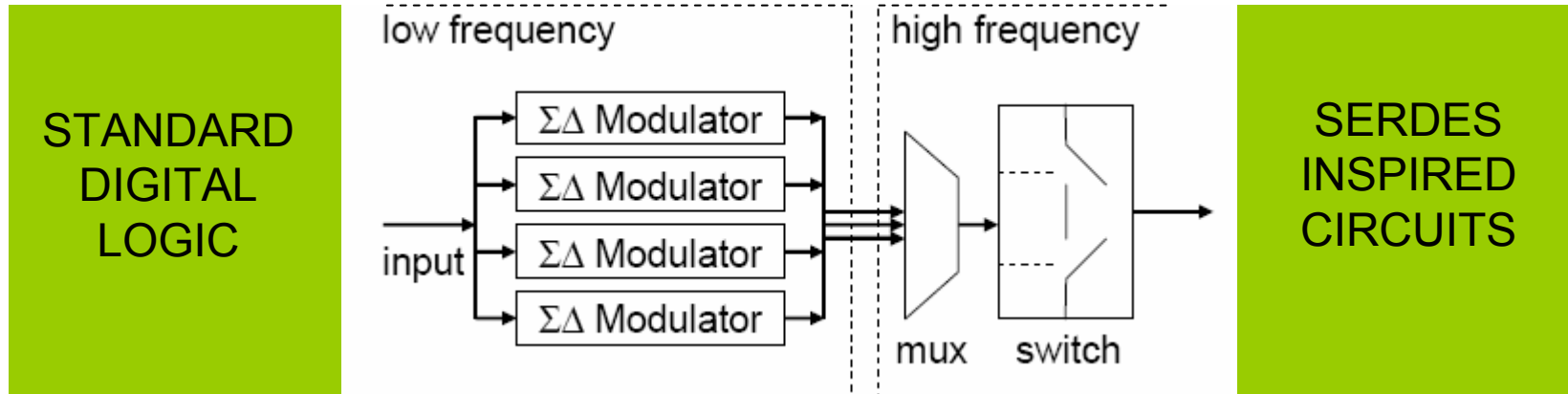
The range of applications could be extended if the digital processing requirements could be relaxed.

Inspired by SERDES technology, it is possible to construct a specialist switch that converts a multi-bit word into a serial stream of 1/0 bits

These can then drive the power switch.



The multi-bit word will be produced by a bank of low-speed parallel  $\Sigma\Delta$  modulators, and delivered off-chip as a low-frequency parallel data link.

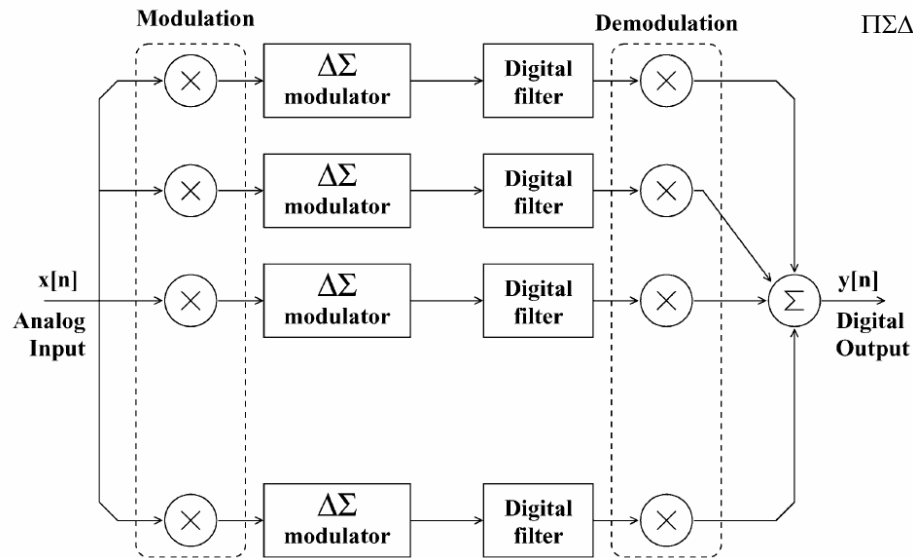


Advantages:

- avails of inherent parallel capability of digital logic
- significant lower-frequency digital systems
- little, and well-known, analog circuit design
- few high-speed noise-sensitive paths

Disadvantages:

- increased digital area



ΠΣΔ, Fiez, Trans CAS, 2004

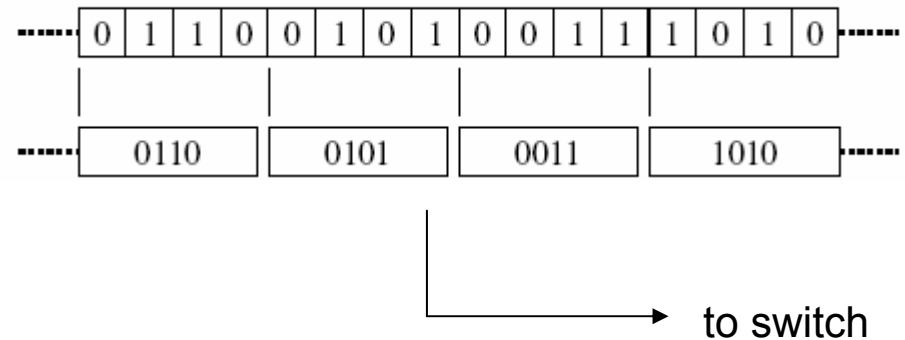
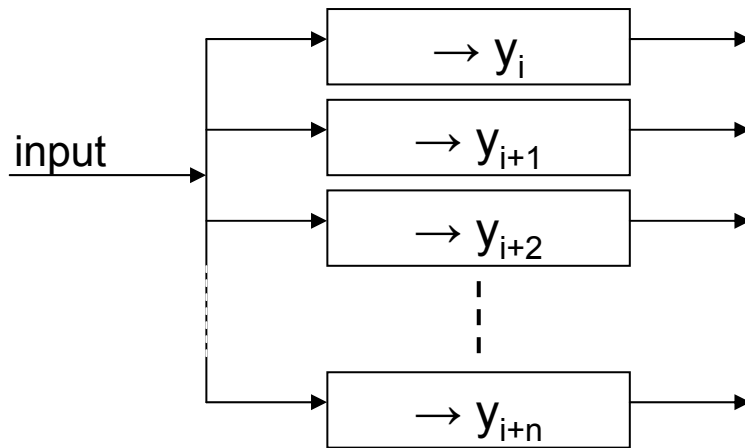
Most existing techniques require digital filtering and addition of outputs

The output is a multi-bit signal.

Well suited for ADC type applications

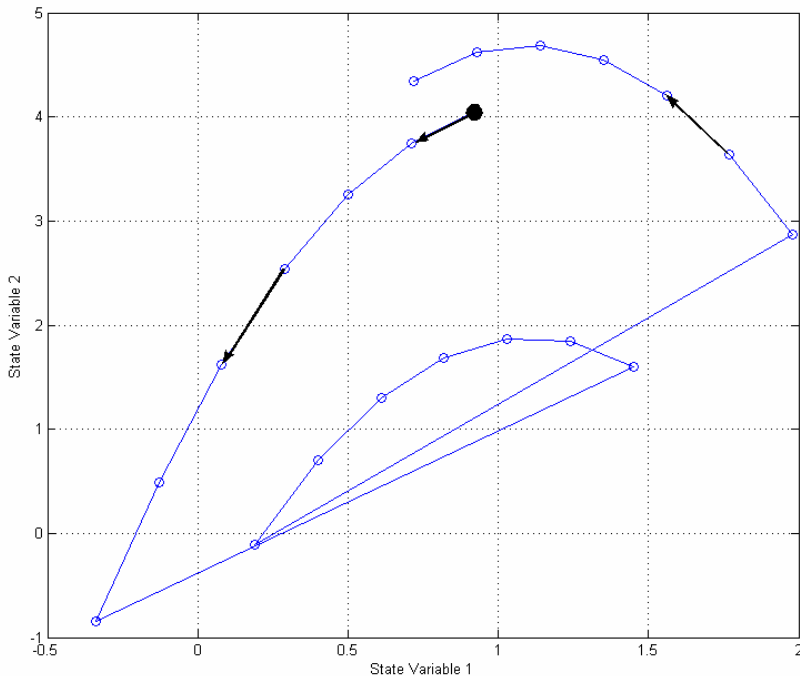
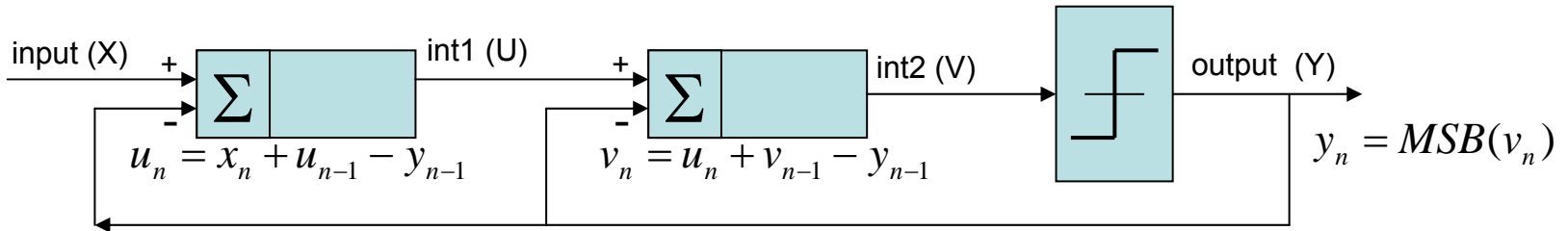
Unsuitable for our power-switching application





We require a system that

- perfectly produces the next  $n$  single-bit outputs concurrently
- has the exact same outputs as if done sequentially
- no change in modulator output signal spectrum

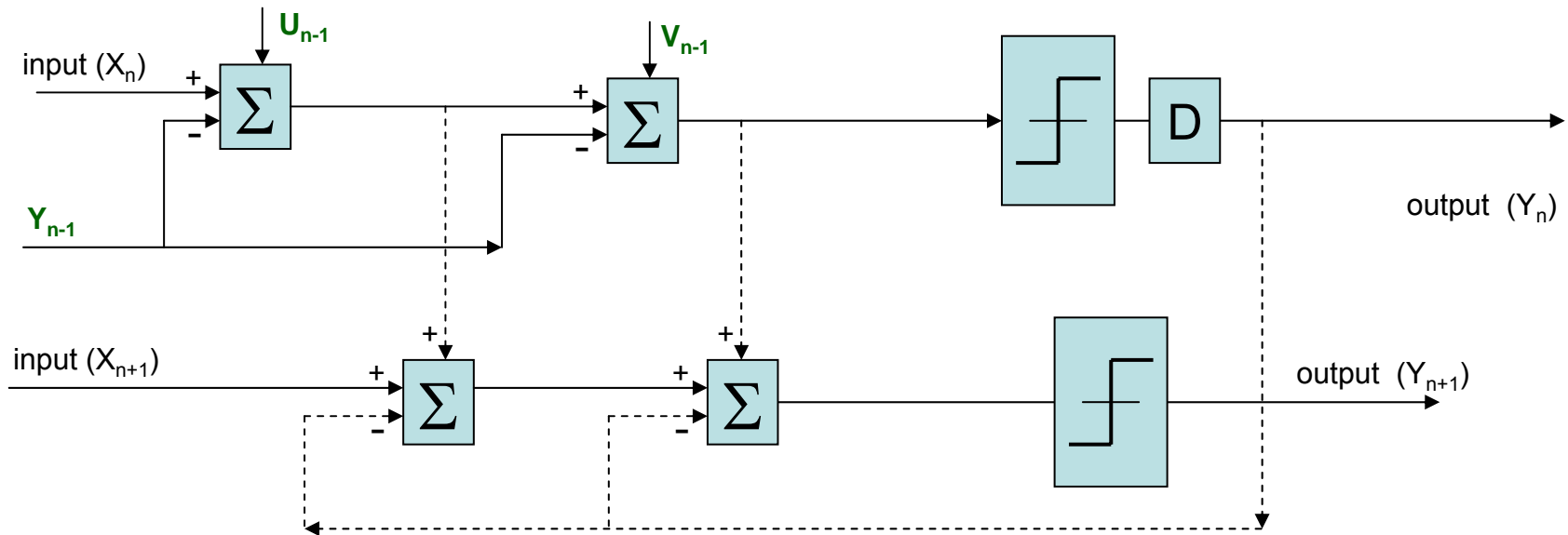


For all sigma-delta modulators, the behaviour may appear complex

But it is deterministic and all future states can be determined if the

**input**  
**initial conditions (u,v)**

are known



We can concatenate modulators to generate the future steps, however

- feedback paths mean that **historical calculations must be preserved**
- this will mean that additional cycles must be used to calculate future outputs (2 cycles for 1 step look-ahead)
- no speed gain as can only **operate at half the clock speed**

Mathematically we can unravel the feedback loops

$$u_n = x_n + u_{n-1} - y_{n-1}$$

$$v_n = u_n + v_{n-1} - y_{n-1}$$

$$u_{n+1} = x_{n+1} + u_n - y_n$$

$$v_{n+1} = u_{n+1} + v_n - y_n$$



this can be fully extrapolated to any number of steps ahead, without recursion

$$\begin{aligned} v_{n+1} &= (u_{n+1}) + (u_n + v_{n-1} - y_{n-1}) - y_n \\ &= (x_{n+1} + u_n - y_n) + (x_n + u_{n-1} - y_{n-1} + v_{n-1} - y_{n-1}) - y_n \\ &= \underbrace{(2x_n + x_{n+1})}_{\text{input signals (known)}} + \underbrace{(2u_{n-1} + v_{n-1})}_{\text{Initial conditions (known)}} - \underbrace{(2y_n + 3y_{n-1})}_{\text{Initial conditions (known)}} \end{aligned}$$

input signals  
(known)

$$y_n = MSB(x_n + u_{n-1} + v_{n-1} - 2y_{n-1})$$

Initial conditions  
(known)

$$v_n = \underline{(x_n)} + \underline{(u_{n-1} + v_{n-1})} - \underline{(2y_{n-1})}$$

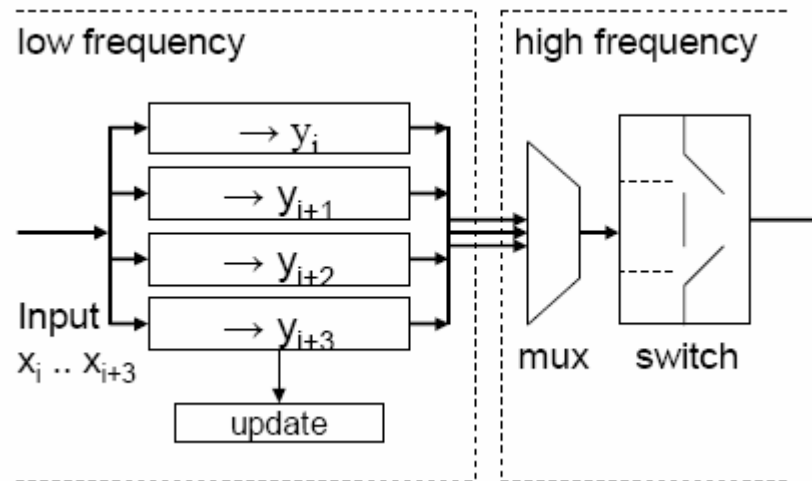
$$v_{n+1} = \underline{(2x_n + x_{n+1})} + \underline{(2u_{n-1} + v_{n-1})} - \underline{(2y_n + 3y_{n-1})}$$

$$output = y_n = MSB(v_n)$$

The values of the future outputs can be easily calculated at the cost of some additional adders.

However we can note

- input could be considered to be constant, valid if is changing slowly (narrowband) compared to the switching frequency.
- $u_{n-1}$ ,  $v_{n-1}$  and  $y_{n-1}$  are initial conditions, and thus known in advance
- $y_n$  is a one bit value and thus easily calculated



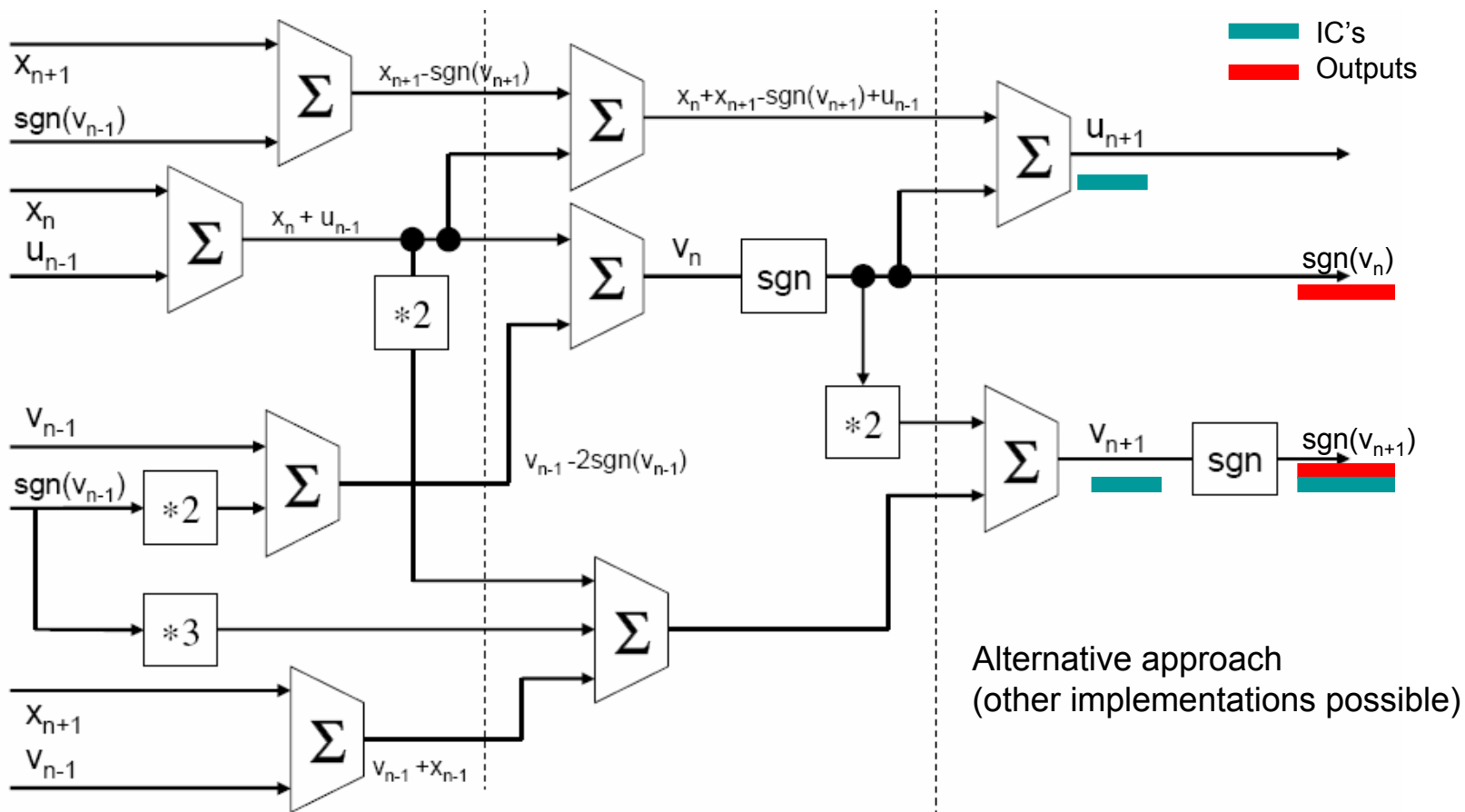
Final implementation could be best implemented as a series of adders, incurring a latency penalty

The most advanced integrator outputs are used as the initial conditions for the next sequence

Repeat the cycle.

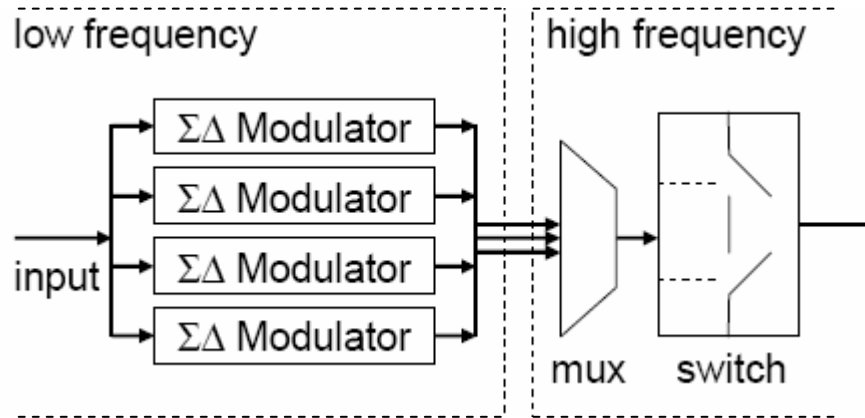
Without any feedback paths, **no historical calculations need to be preserved, can operate at full clock speed.**

# One possible implementation



Increased number of adders (9), similar latency as before

Purely feedforward, allowing for effective throughput enhancement



Effective high-throughput parallelisation of  $\Sigma\Delta$  modulators is possible

Demonstrated for lowpass, but can be done for all modulators (BP and HP)

Avoids the issues of high speed digital processing for high speed switching systems, simplifying design challenges.

Enables class-D amplifiers for a wider range of applications.



Questions??

and

Thank you!